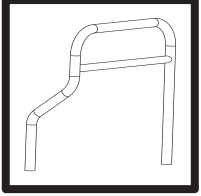
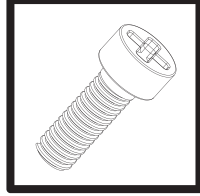


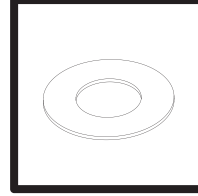
Temizlik Arabası Pres Ayağı / Cleaning Trolley Press Stand



A Metal Ayak X 1 Adet
Metal Stand X 1 Piece



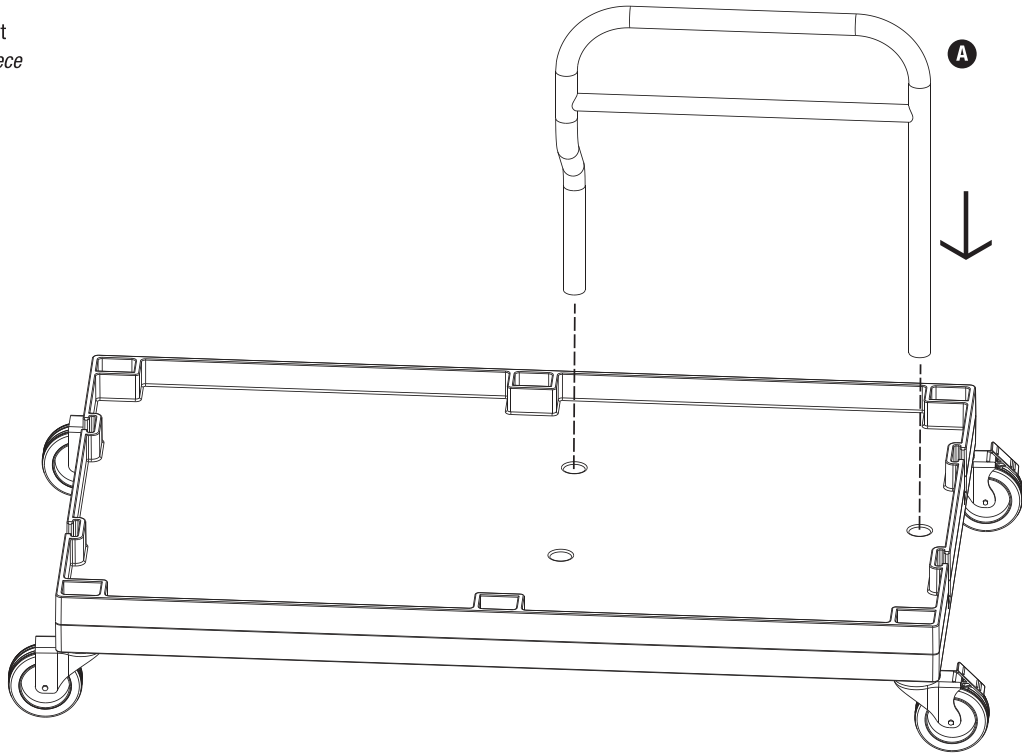
B Civata M6x16 X 2 Adet
Bolt M6x16 X 2 Pieces



C Pul 0,6x8x20 X 2 Adet
Rove 0,6x8x20 X 2 Pieces

1

A Metal Ayak X 1 Adet
Metal Stand X 1 Piece



2

B Civata M6x16 X 2 Adet
Bolt M6x16 X 2 Pieces

C Pul 0,6x8x20 X 2 Adet
Rove 0,6x8x20 X 2 Pieces

